



**JOC303XD4 Series**

**DC Input, Zero-Cross Photo TRIAC Optocoupler**

**Description**

The JOC303XD4 series combine an AlGaAs infrared emitting diode as the emitter which is optically coupled to a monolithic silicon zero-cross photo triac in a plastic DIP4 package with different lead forming options.

With the robust coplanar double mold structure, JOC303XD4 series provide the most stable isolation feature.

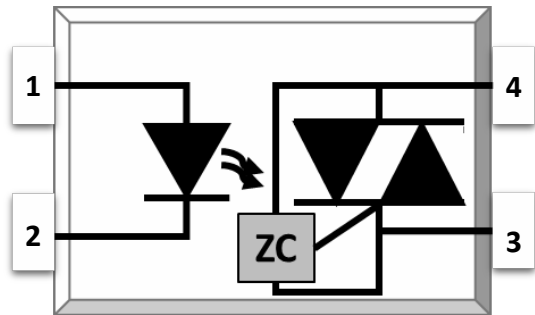
**Features**

- High isolation 5000 VRMS
- DC input with zero-cross photo triac output
- Operating temperature range - 40 °C to 100 °C
- REACH compliance
- Halogen free
- MSL class 1
- Regulatory Approvals
  - UL
  - VDE
  - CQC

**Applications**

- Solenoid/valve controls
- Lighting controls
- Motor controls
- Temperature controls
- Static AC power switches
- Solid state relays
- Interfacing microprocessors to 115 to 240VAC peripherals

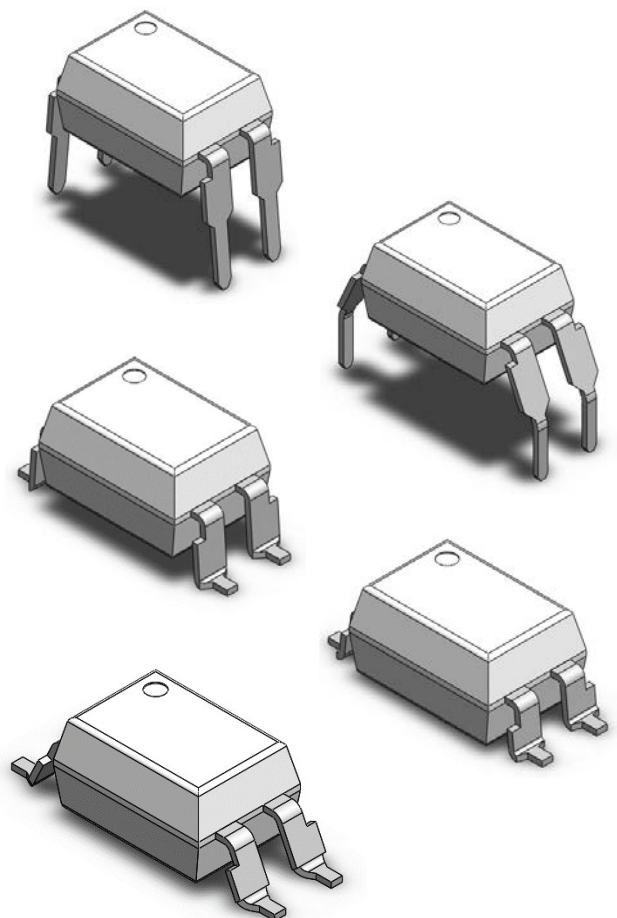
**SCHEMATIC**



**PIN DEFINITION**

1. Anode
2. Cathode
3. Terminal
4. Terminal

**PACKAGE OUTLINE**



**ABSOLUTE MAXIMUM RATINGS**

PARAMETER	SYMBOL	VALUE	UNIT	NOTE
<b>INPUT</b>				
Forward Current	$I_F$	60	mA	
Reverse Voltage	$V_R$	6	V	
Junction Temperature	$T_j$	125	°C	
Input Power Dissipation	$P_I$	100	mW	
<b>OUTPUT</b>				
Off-state Output Terminal Voltage	JOC303XD4	250	V	
	JOC304XD4	400		
	JOC306XD4	600		
	JOC308XD4	800		
Peak Repetitive Surge Current PW=100μs, 120pps	$I_{TSM}$	1	A	
On-State RMS Current	$I_{T(RMS)}$	100	mA	
Junction Temperature	$T_j$	125	°C	
Output Power Dissipation	$P_O$	300	mW	
<b>COMMON</b>				
Total Power Dissipation	$P_{tot}$	400	mW	
Isolation Voltage	$V_{iso}$	5000	V <sub>rms</sub>	1
Operating Temperature	$T_{opr}$	-40~100	°C	
Storage Temperature	$T_{stg}$	-55~150	°C	
Soldering Temperature	$T_{sol}$	260	°C	2

Note 1. AC For 1 Minute, R.H. = 40 ~ 60%

Note 2. For 10 seconds

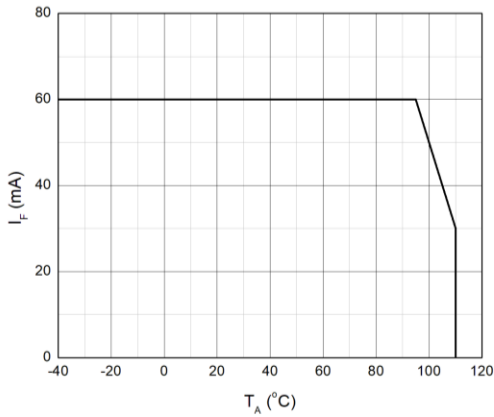
ELECTRICAL OPTICAL CHARACTERISTICS at Ta=25°C							
PARAMETER	SYMBOL	MIN.	TYP.	MAX.	UNIT	TEST CONDITION	NOTE
INPUT							
Forward Voltage	$V_F$	-	1.24	1.4	V	$I_F=10\text{mA}$	
Reverse Current	$I_R$	-	-	10	$\mu\text{A}$	$V_R=6\text{V}$	
Input Capacitance	$C_{in}$	-	8.5	250	pF	$V=0, f=1\text{kHz}$	
OUTPUT							
Peak Off-state Current, Either Direction	$I_{DRM}$	-	-	100	nA	$V_{DRM}=\text{Rated } V_{DRM}$ $I_F=0$	3
Peak On-state Current, Either Direction	$V_{TM}$	-	1.59	2.5	V	$I_{TM}=100\text{mA}$	
Critical Rate of Rise of Off-state Voltage	$dV/dt$	1000	-	-	$\text{V}/\mu\text{s}$	$V_{PEAK}=\text{Rated } V_{DRM}$	4
TRANSFER CHARACTERISTICS							
LED Trigger Current	JOC3031D4	$I_{FT}$	-	-	15	mA	Terminal Voltage = 3V $I_{TM}=100\text{mA}$
	JOC3032D4		-	-	10		
	JOC3033D4		-	-	5		
Holding Current	$I_H$	-	237	-	$\mu\text{A}$		
Isolation Resistance	$R_{iso}$	$10^{12}$	$10^{14}$	-	$\Omega$	DC500V, 40 ~ 60% R.H.	
Floating Capacitance	$C_{IO}$	-	0.4	1	pF	$V=0, f=1\text{MHz}$	
ZERO-CROSSING CHARACTERISTICS							
Inhibit Voltage	$V_{INH}$	-	-	20	V	$I_F=\text{Rated } I_{FT}$	
Leakage in Inhibited State	$I_{DRM2}$	-	-	500	$\mu\text{A}$	$I_F=\text{Rated } I_{FT}$ $V_{DRM}=\text{Rated } V_{DRM}$	

Note3. Test voltage must be applied within  $dV/dt$  rating.

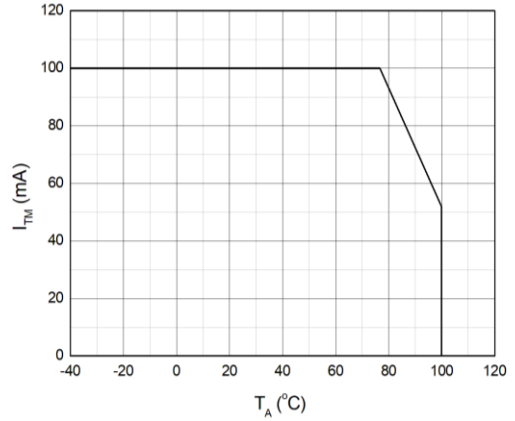
Note4. Refer to Fig.17 & Fig.18

**CHARACTERISTIC CURVES**

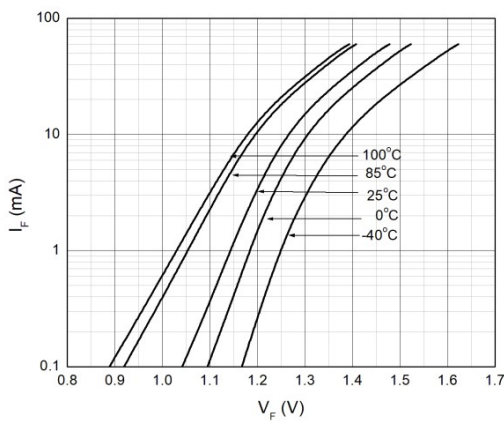
**Fig.1 Forward Current vs. Ambient Temperature**



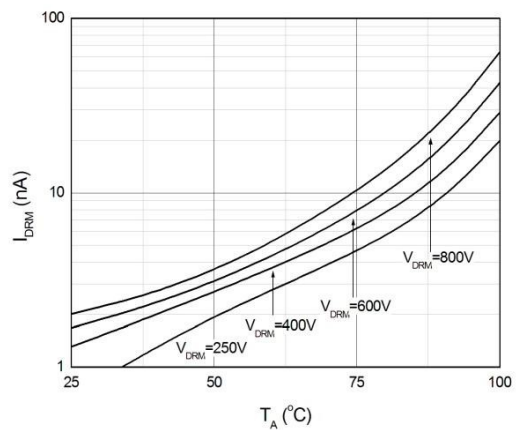
**Fig.2 On-state Terminal Current vs. Ambient Temperature**



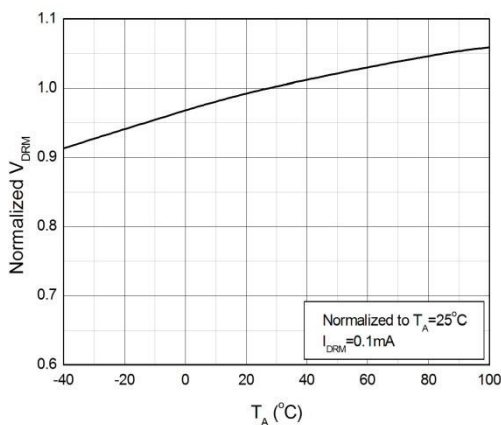
**Fig.3 Forward Current vs. Forward Voltage**



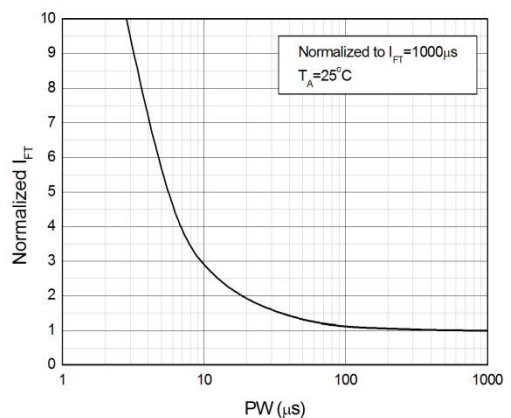
**Fig.4 Off-state Terminal Current vs. Ambient Temperature**



**Fig.5 Normalized Off-state Terminal Voltage vs. Ambient Temperature**

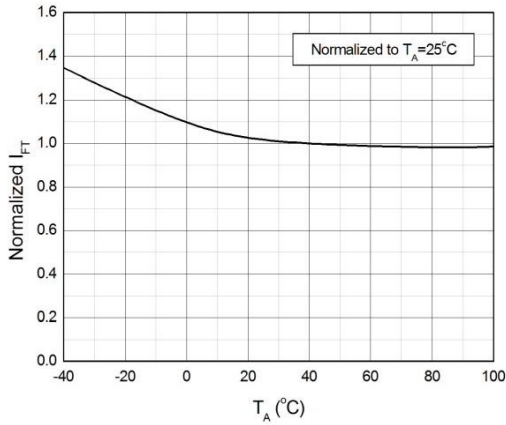


**Fig.6 Normalized Trigger Current vs. LED Trigger Pulse Width**

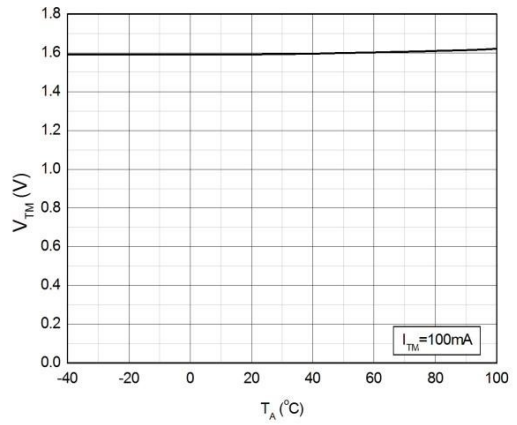


**CHARACTERISTIC CURVES**

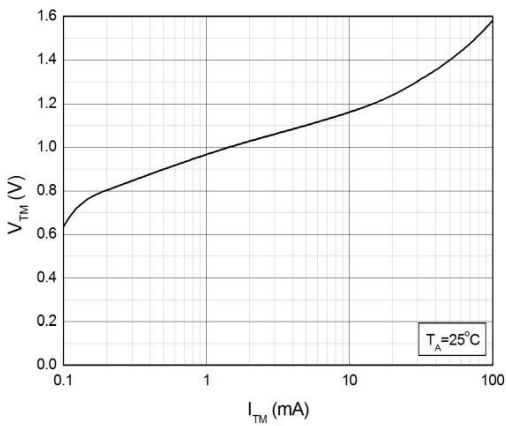
**Fig.7 Normalized Trigger Current vs. Ambient Temperature**



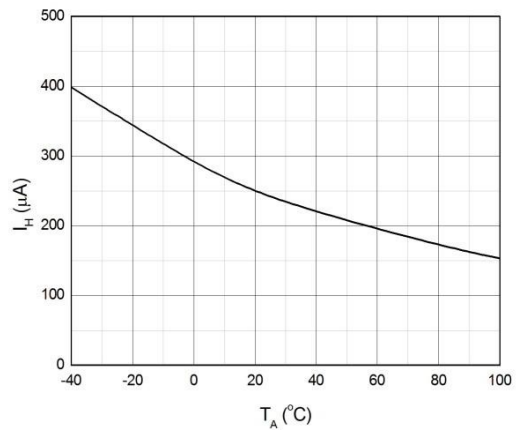
**Fig.8 On-state Terminal Voltage vs. Ambient Temperature**



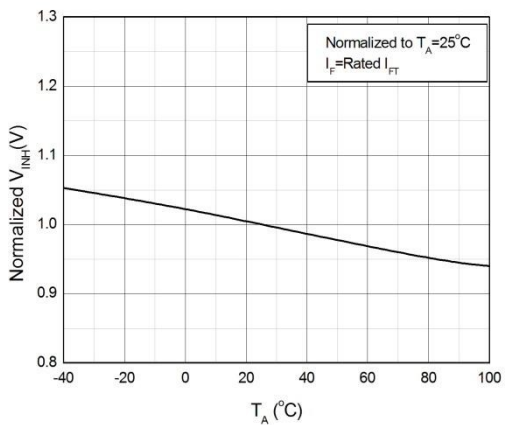
**Fig.9 On-state Terminal Voltage vs. On-state Terminal Current**



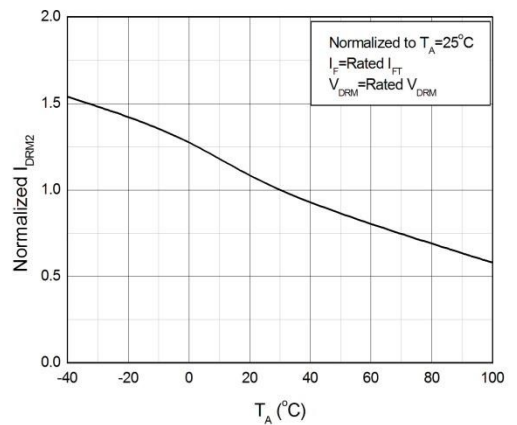
**Fig.10 Holding Current vs. Ambient Temperature**



**Fig.11 Normalized Inhibit Voltage vs. Ambient Temperature**

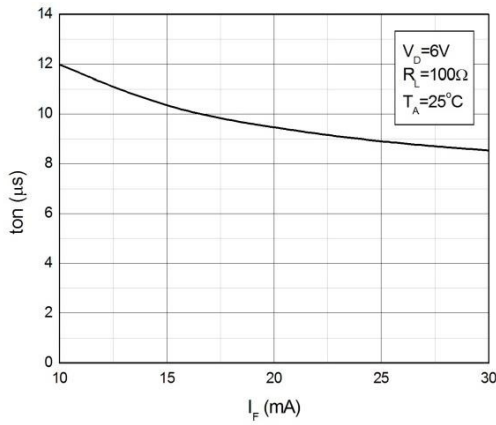


**Fig.12 Normalized Leakage in Inhibit State vs. Ambient Temperature**

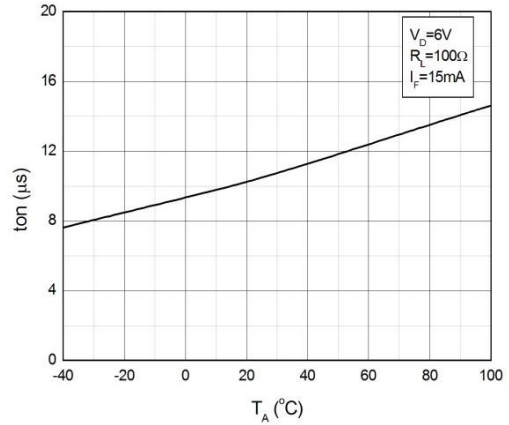


**CHARACTERISTIC CURVES**

**Fig.13 Turn On Time vs. Forward Current**

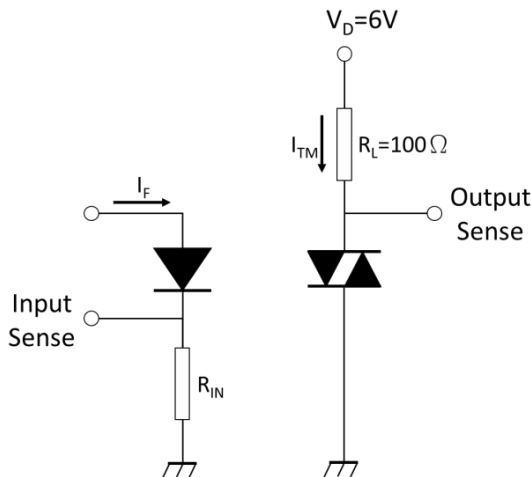


**Fig.14 Turn On Time vs. Ambient Temperature**

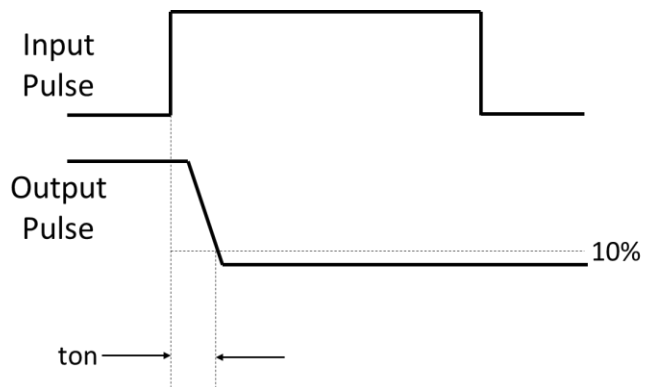


**TEST CIRCUITS**

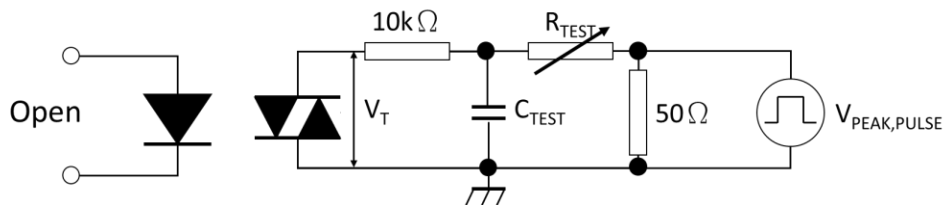
**Fig.15 Test Circuits of Turn On Time**



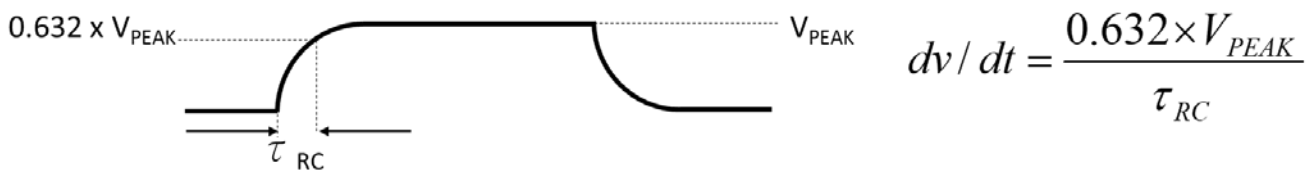
**Fig.16 Waveforms of Turn On Time**



**Fig.17 Test Circuits of dV/dt**

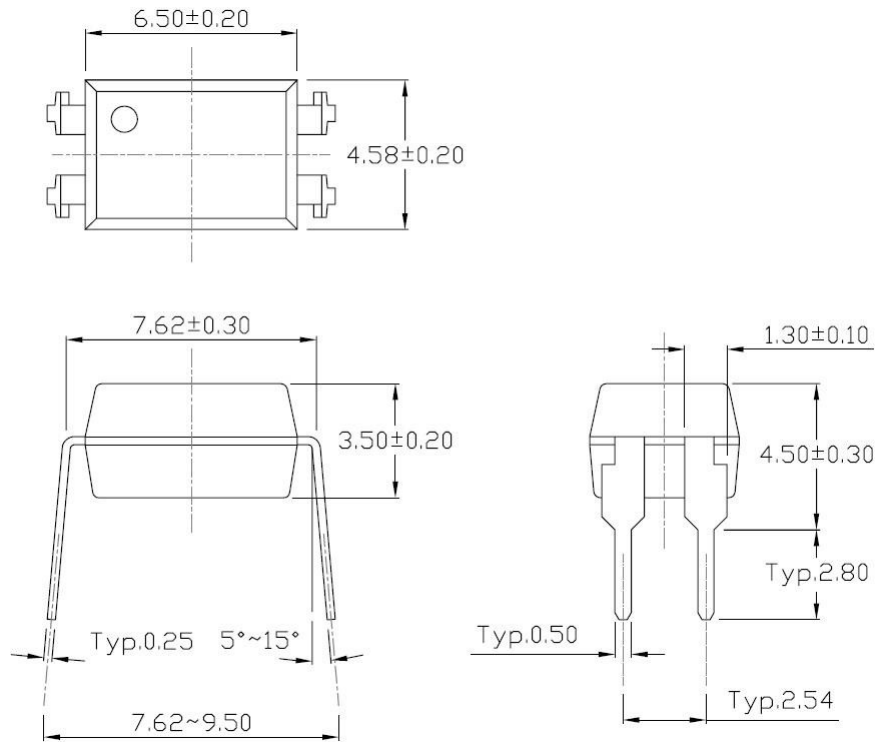


**Fig.18 Waveforms of dV/dt**

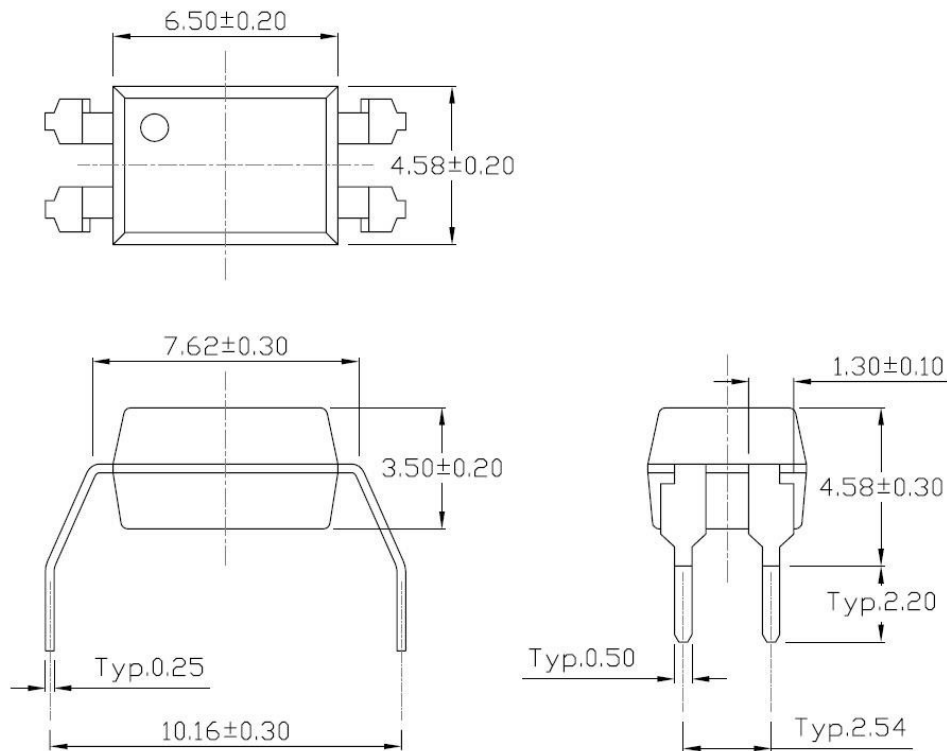


**PACKAGE DIMENSIONS (Dimensions in mm unless otherwise stated)**

**Standard DIP – Through Hole (DIP Type)**

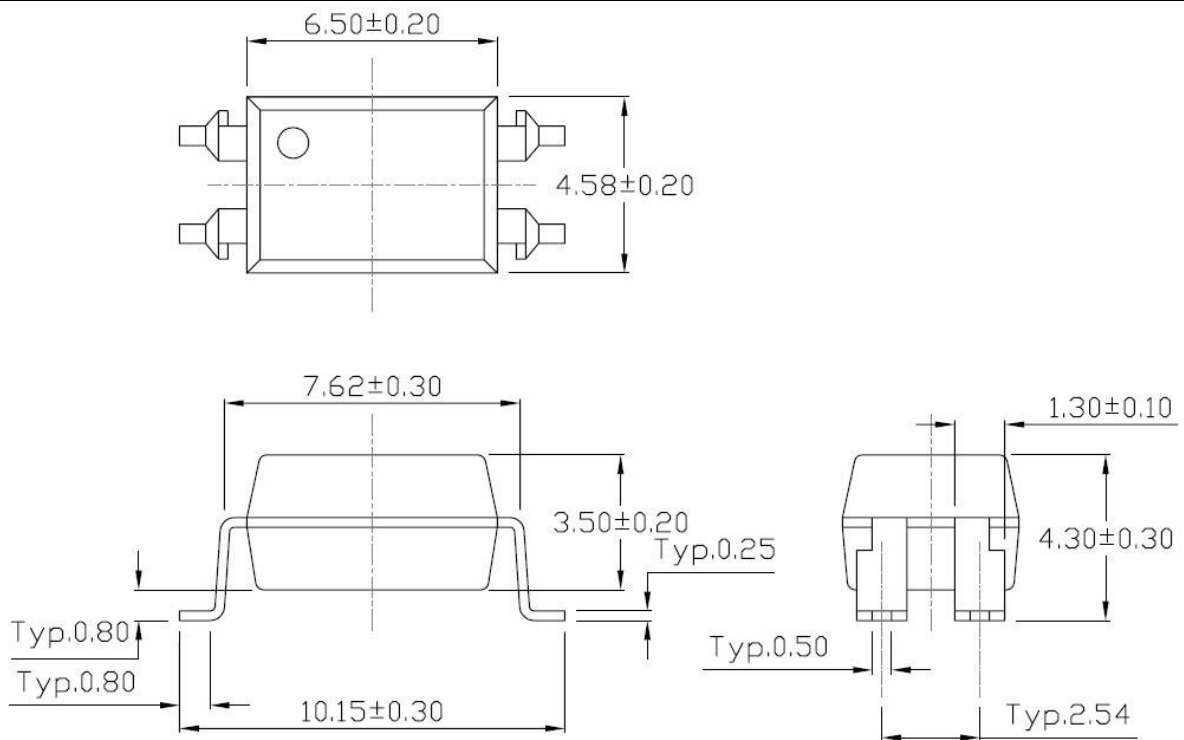


**Gullwing (400mil) Lead Forming – Through Hole (M Type)**

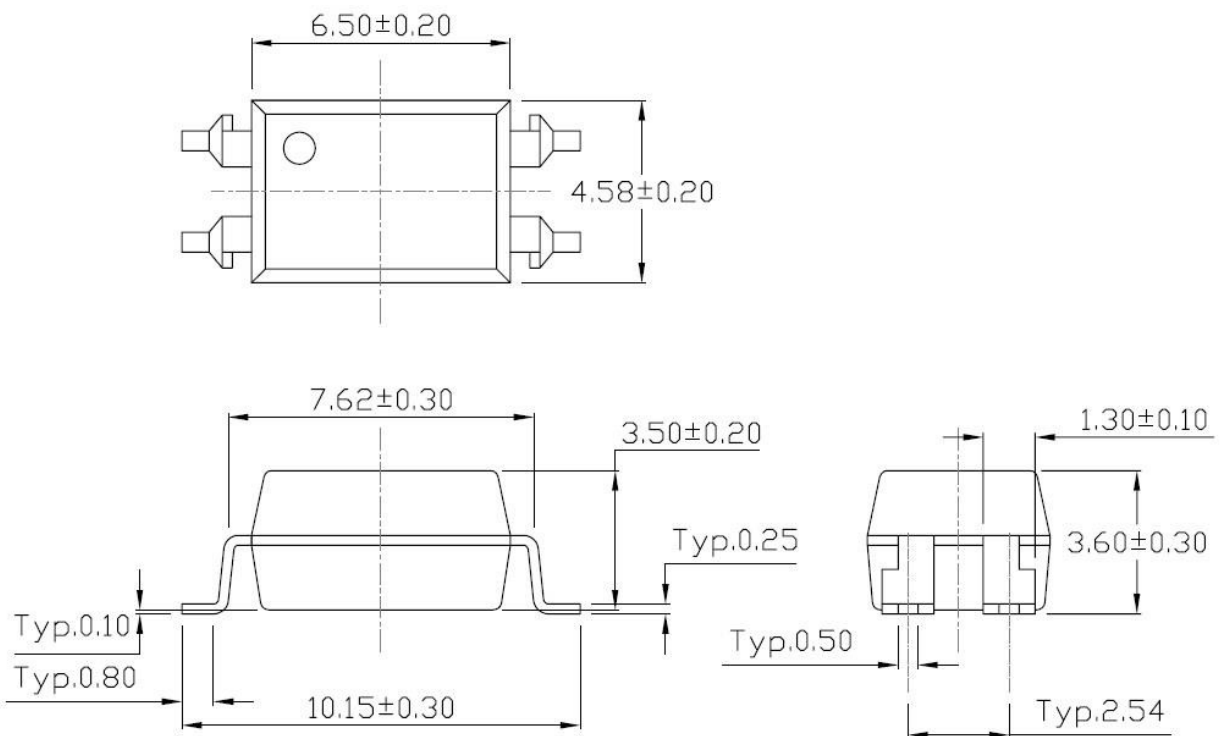


**PACKAGE DIMENSIONS (Dimensions in mm unless otherwise stated)**

**Surface Mount Lead Forming (S Type)**

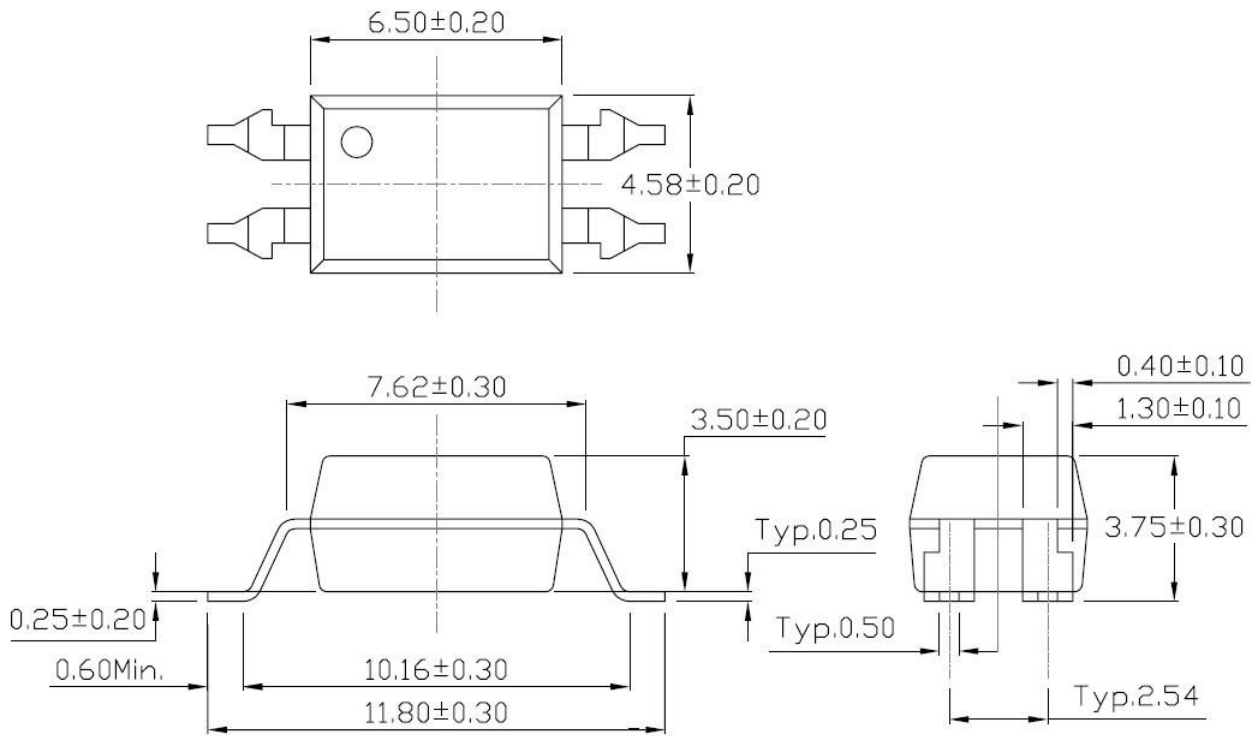


**Surface Mount (Low Profile) Lead Forming (SL Type)**



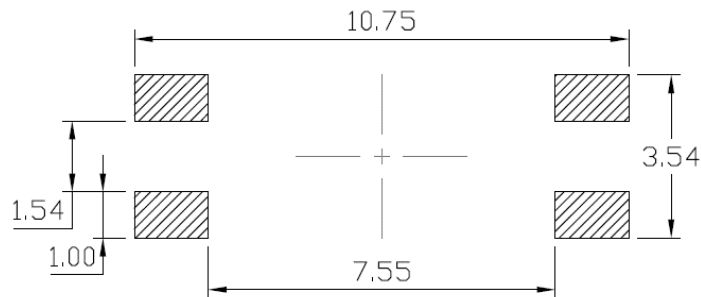
**PACKAGE DIMENSIONS (Dimensions in mm unless otherwise stated)**



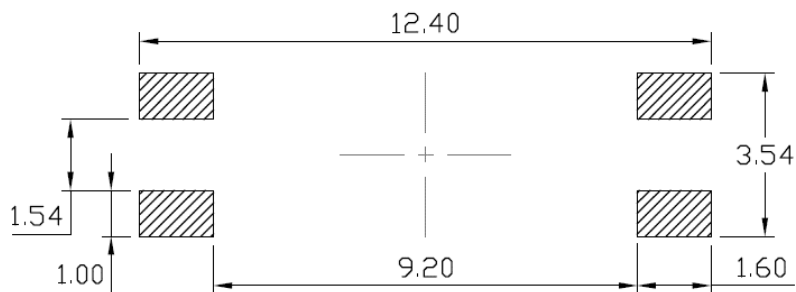


**RECOMMENDED SOLDER MASK (Dimensions in mm unless otherwise stated)**

**Surface Mount Lead Forming & Surface Mount (Low Profile) Lead Forming**

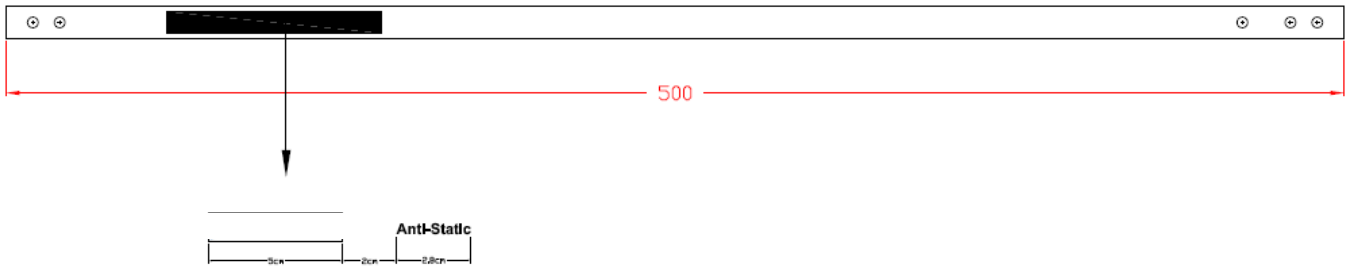
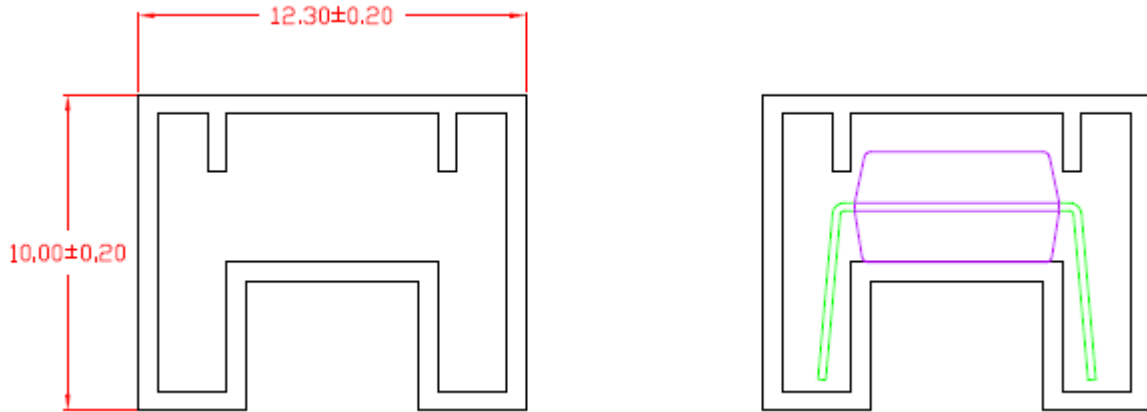


**Surface Mount (Gullwing) Lead Forming**

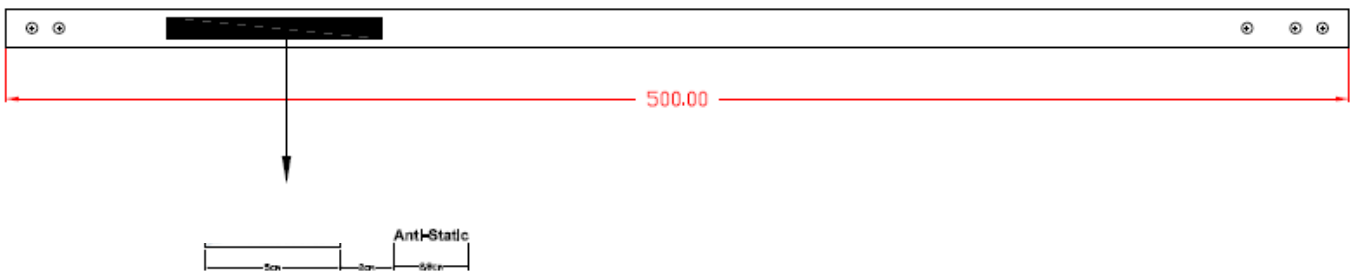
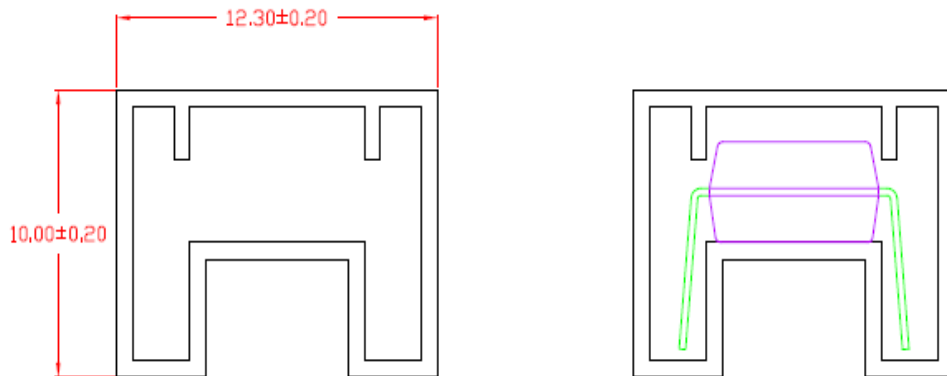


**TUBE SPECIFICATIONS (Dimensions in mm unless otherwise stated)**

**Standard DIP**



**Option M**



**BOX SPECIFICATIONS (Tube Type)**

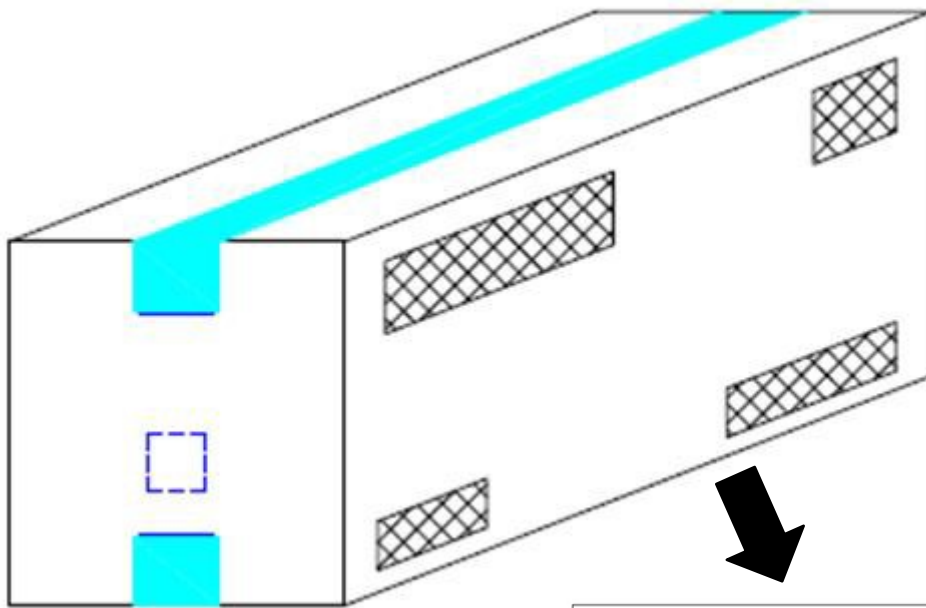
**Inner Box**

Label



- L x W x H = 52.5cm x 10.7cm x 4.7cm

**Outer Box**



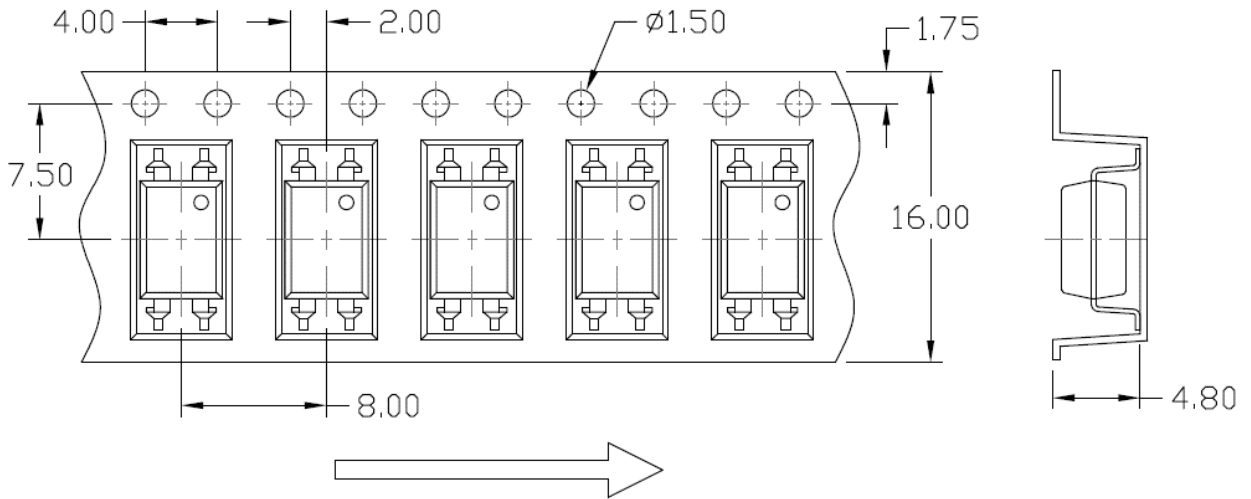
Label



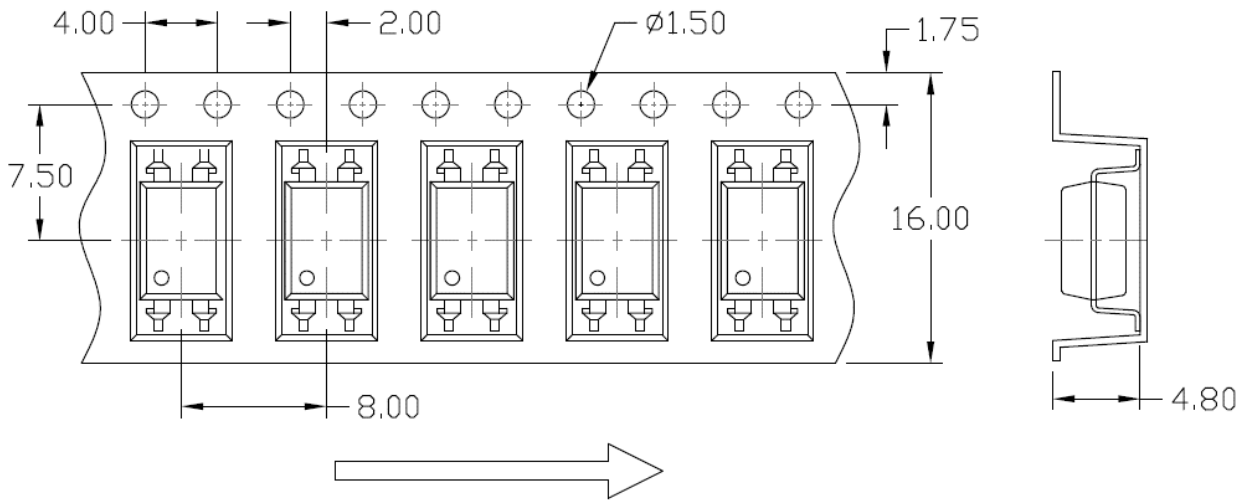
- L x W x H = 53.5cm x 23.5cm x 25.5cm

**CARRIER TAPE SPECIFICATIONS (Dimensions in mm unless otherwise stated)**

**Option S(T1) & SL(T1)**

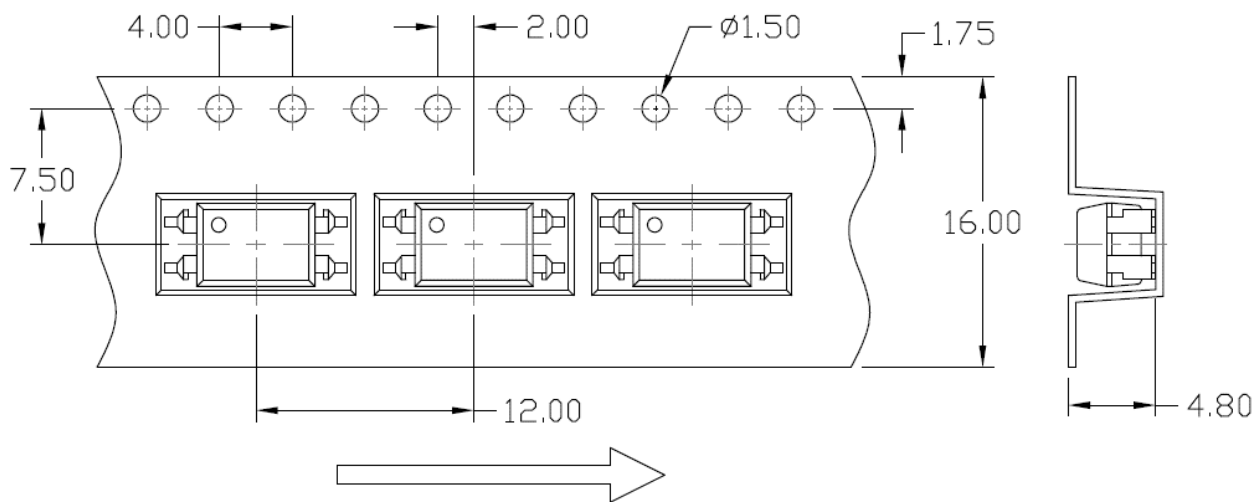


**Option S(T2) & SL(T2)**

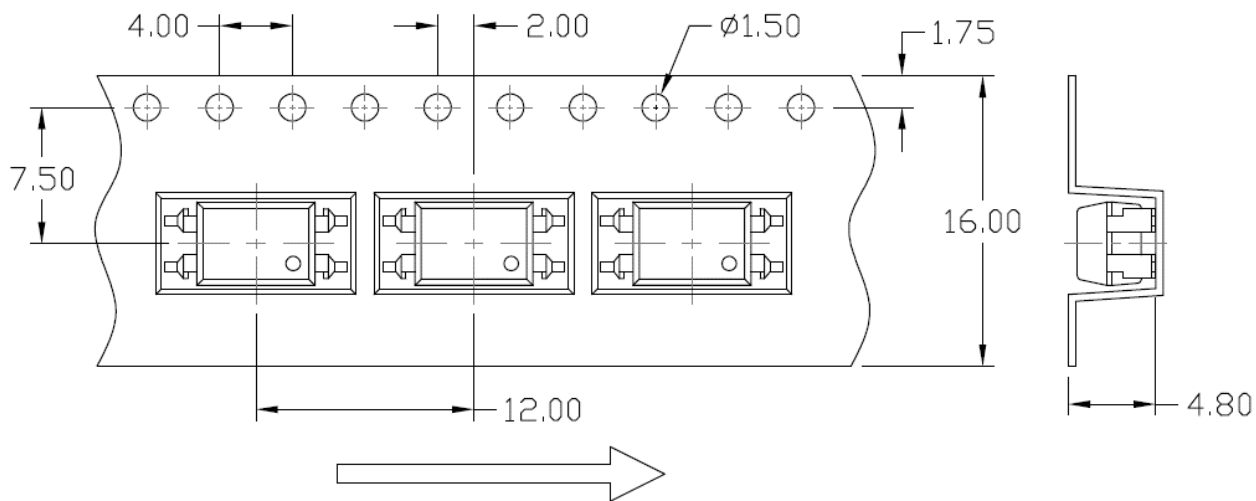


**CARRIER TAPE SPECIFICATIONS (Dimensions in mm unless otherwise stated)**

**Option S(T3) & SL(T3)**

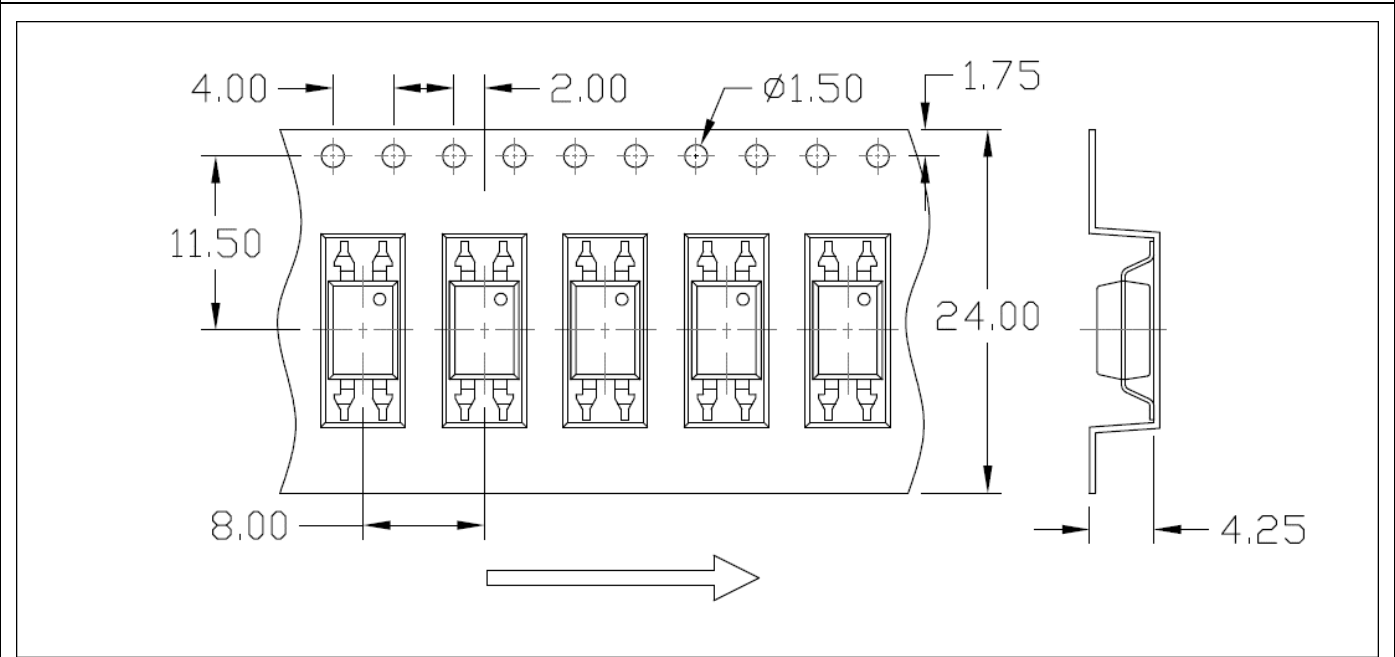


**Option S(T4) & SL(T4)**

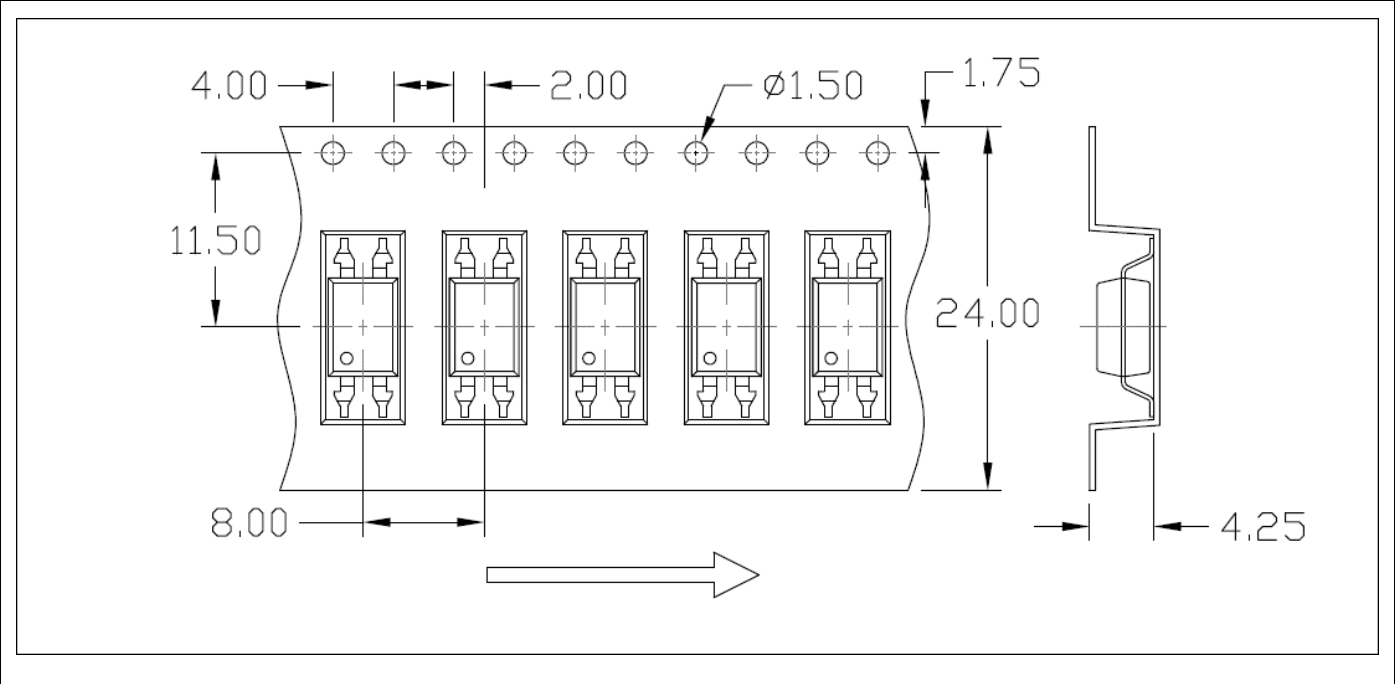


**CARRIER TAPE SPECIFICATIONS (Dimensions in mm unless otherwise stated)**

**Option SLM(T1)**



**Option SLM(T2)**



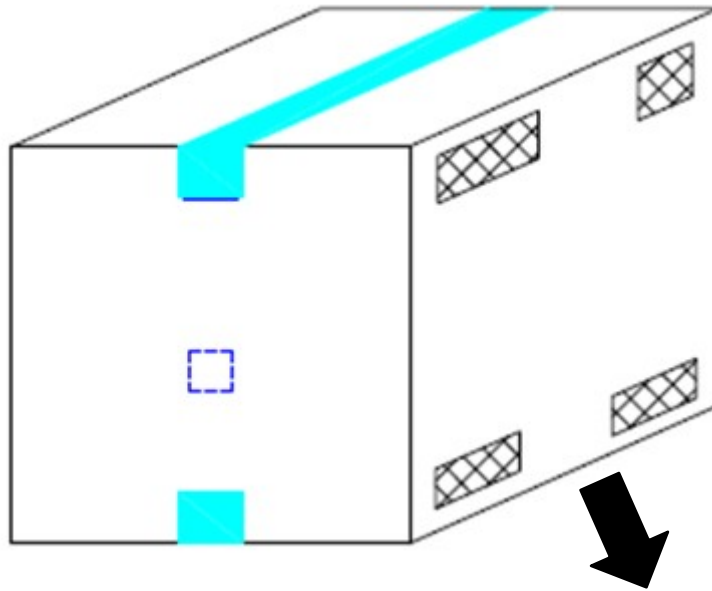
**BOX SPECIFICATIONS (Reel Type)**

**Inner Box**

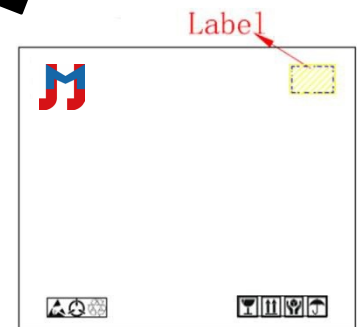


- L x W x H = 36cm x 36cm x 6.9cm

**Outer Box**



- L x W x H = 45cm x 38cm x 38cm



**ORDERING AND MARKING INFORMATION**

**MARKING INFORMATION**




**JOC** : Company Abbr.  
**30XX** : Part Number & Rank  
**V** : VDE Option  
**Y** : Fiscal Year  
**A** : Manufacturing Code  
**WW** : Work Week

**ORDERING INFORMATION**

**LABEL INFORMATION**

**JOC30XXD4(Y)(Z)-GV**

JOC – Company Abbr.  
 30XX – Part Number  
 (31/32/33/41/42/43/61/62/63/81/82/83)  
 D4 – DIP4 Package  
 Y – Lead Form Option (M/S/SL/SLM/None)  
 Z – Tape and Reel Option (T1/T2/T3/T4)  
 G – Green  
 V – VDE Option (V or None)



捷捷微电 (深圳) 有限公司  
 JIEJIE MICROELECTRONICS (Shenzhen) Co Ltd

Part No : XXXXXXXXXXXXXXXX      Bin Code : X

Lot No : XXXXXXXXXXXX

Date Code : XXXX

Q'ty : XXXX pcs

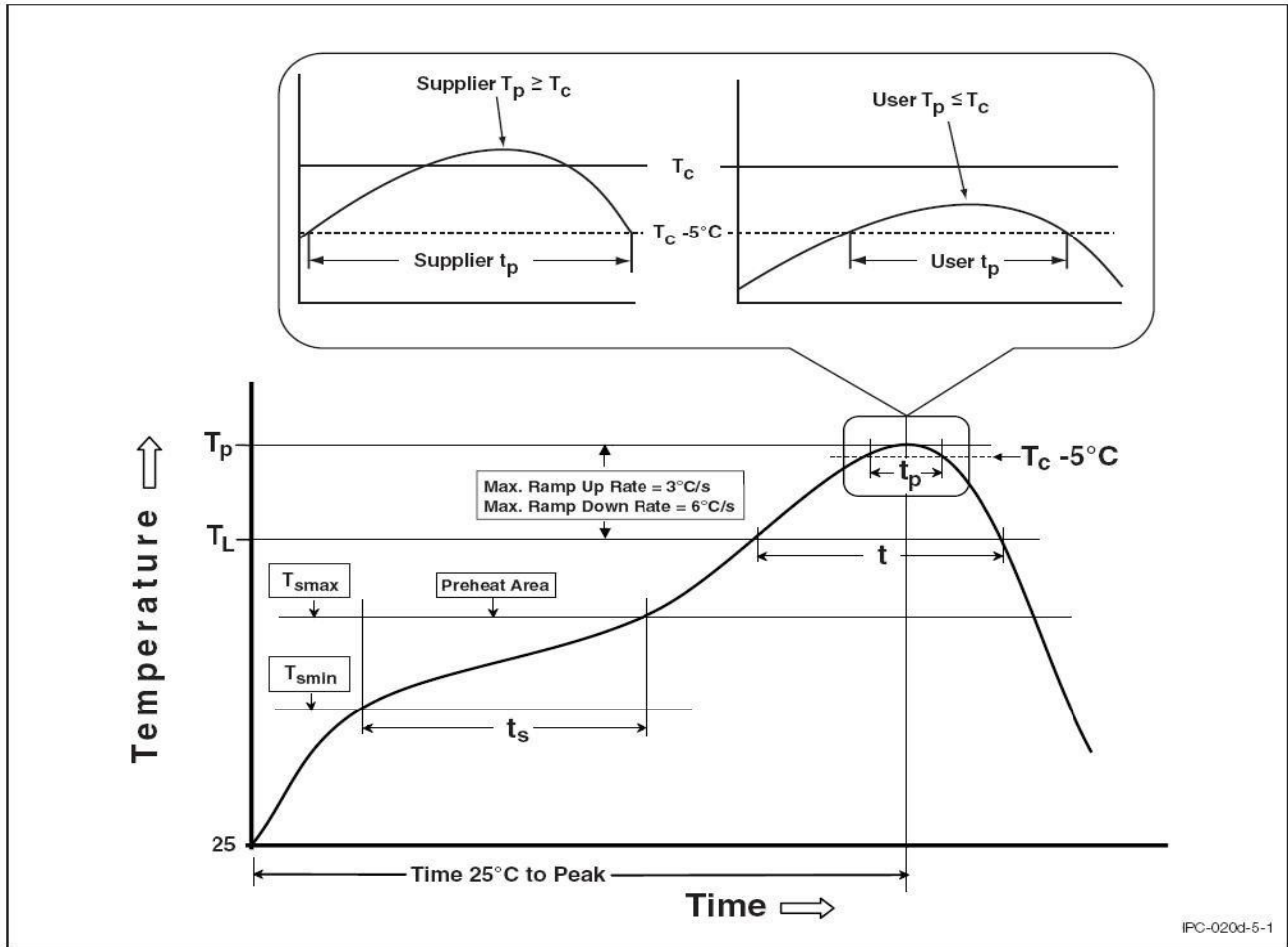
**Packing Quantity**

Option	Quantity	Quantity – Inner box	Quantity – Outer box
None	100 Units/Tube	32 Tubes/Inner box	10 Inner box/Outer box = 32k Units
M	100 Units/Tube	28 Tubes/Inner box	10 Inner box/Outer box = 28k Units
S(T1)	1500 Units/Reel	3 Reels/Inner box	5 Inner box/Outer box = 22.5k Units
S(T2)	1500 Units/Reel	3 Reels/Inner box	5 Inner box/Outer box = 22.5k Units
S(T3)	1000 Units/Reel	3 Reels/Inner box	5 Inner box/Outer box = 15k Units
S(T4)	1000 Units/Reel	3 Reels/Inner box	5 Inner box/Outer box = 15k Units
SL(T1)	1500 Units/Reel	3 Reels/Inner box	5 Inner box/Outer box = 22.5k Units
SL(T2)	1500 Units/Reel	3 Reels/Inner box	5 Inner box/Outer box = 22.5k Units
SL(T3)	1000 Units/Reel	3 Reels/Inner box	5 Inner box/Outer box = 15k Units
SL(T4)	1000 Units/Reel	3 Reels/Inner box	5 Inner box/Outer box = 15k Units
SLM(T1)	1000 Units/Reel	3 Reels/Inner box	5 Inner box/Outer box = 15k Units
SLM(T2)	1000 Units/Reel	3 Reels/Inner box	5 Inner box/Outer box = 15k Units



**REFLOW INFORMATION**

**REFLOW PROFILE**



Profile Feature	Sn-Pb Assembly Profile	Pb-Free Assembly Profile
Temperature Min. (Tsmmin)	100	150°C
Temperature Max. (Tsmmax)	150	200°C
Time (ts) from (Tsmmin to Tsmmax)	60-120 seconds	60-120 seconds
Ramp-up Rate (tL to tP)	3°C/second max.	3°C/second max.
Liquidous Temperature (TL)	183°C	217°C
Time (tL) Maintained Above (TL)	60 – 150 seconds	60 – 150 seconds
Peak Body Package Temperature	235°C +0°C / -5°C	260°C +0°C / -5°C
Time (tP) within 5°C of 260°C	20 seconds	30 seconds
Ramp-down Rate (TP to TL)	6°C/second max	6°C/second max
Time 25°C to Peak Temperature	6 minutes max.	8 minutes max.

**DISCLAIMER**

- JIEJIE is continually improving the quality, reliability, function and design. JIEJIE reserves the right to make changes without further notices.
- The characteristic curves shown in this datasheet are representing typical performance which are not guaranteed.
- JIEJIE makes no warranty, representation or guarantee regarding the suitability of the products for any particular purpose or the continuing production of any product. To the maximum extent permitted by applicable law, JIEJIE disclaims (a) any and all liability arising out of the application or use of any product, (b) any and all liability, including without limitation special, consequential or incidental damages, and (c) any and all implied warranties, including warranties of fitness for particular
- The products shown in this publication are designed for the general use in electronic applications such as office automation, equipment, communications devices, audio/visual equipment, electrical application and instrumentation purpose, non-infringement and merchantability.
- This product is not intended to be used for military, aircraft, automotive, medical, life sustaining or lifesaving applications or any other application which can result in human injury or death.
- Please contact JIEJIE sales agent for special application request.
- Immerge unit's body in solder paste is not recommended.
- Parameters provided in datasheets may vary in different applications and performance may vary over time. All operating parameters, including typical parameters, must be validated in each customer application by the customer's technical experts. Product specifications do not expand or otherwise modify JIEJIE's terms and conditions of purchase, including but not limited to the warranty expressed therein.
- Discoloration might be occurred on the package surface after soldering, reflow or long-time use. It neither impacts the performance nor reliability.